

ZARF2590-L-TV

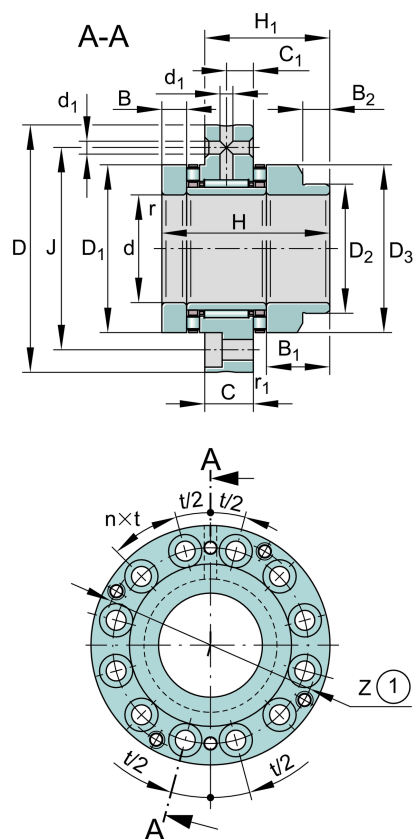
Needle roller/axial cylindrical roller bearing

Schaeffler ID:
0016827410000

Needle roller/axial cylindrical roller bearings ZARF...-L, double direction, for screw mounting, long shaft locating washer

Technical information

Main Dimensions & Performance Data



| | | |
|-----------------------|-------------|---------------------------------------|
| d | 25 mm | Bore diameter |
| D | 90 mm | Outside diameter |
| H | 75 mm | Height |
| C_a | 80.000 N | Basic dynamic load rating, axial |
| C_{0a} | 199.000 N | Basic static load rating, axial |
| C_r | 24.300 N | Basic dynamic load rating, radial |
| C_{0r} | 41.500 N | Basic static load rating, radial |
| C_{ua} | 18.600 N | Fatigue load limit, axial |
| C_{ur} | 6.000 N | Fatigue load limit, radial |
| $n_{G\text{ Oil}}$ | 4.900 1/min | Limiting speed for oil lubrication |
| $n_{G\text{ Grease}}$ | 1.400 1/min | Limiting speed for grease lubrication |
| M_{RL} | 1,6 Nm | Bearing friction torque |
| | 1,506 kg | Weight |

Mounting dimensions

| | | |
|--------------------|-------|--------------------------------------|
| $D_{a\text{ max}}$ | 63 mm | Maximum diameter of housing shoulder |
| $d_{a\text{ min}}$ | 45 mm | Minimum diameter shaft shoulder |

